

Plastic hinges

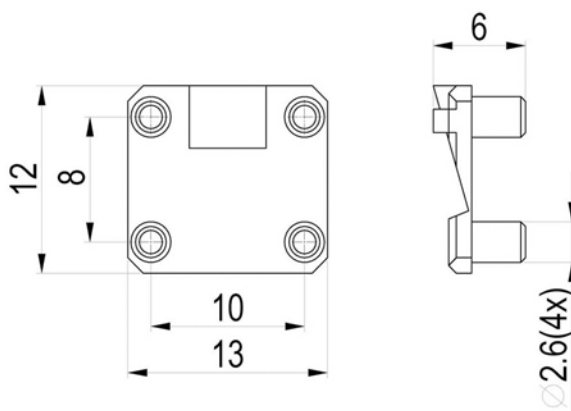
ZKH-01

Plastic hinge enables fast review of ZK-06 if there are several ZK-06 cassettes. It is mounted in the holes on the side of splice cassette 06 (no screws needed – click-fit).

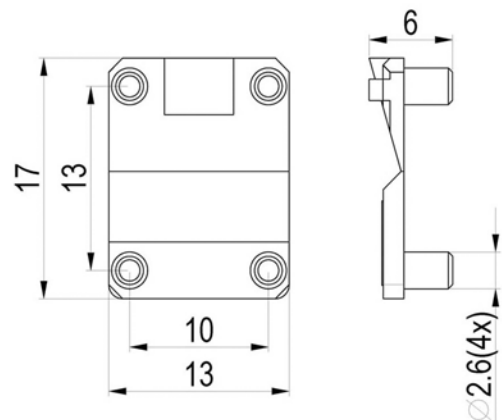
ZKH-02

Plastic hinge ZKH-2 is mounted between the side of splice cassette 06 and top of the cover (no screws needed – click-fit).

Material: PE plastic, black colour



ZKH-01



ZKH-02

