

PATCH PANEL ACCESSORIES

Splice protection holder

It is used for fixing splice protection.

N3M-06

Type 1: 3M-Fiberlock splice protection holder, capacity 6 splices

NCR-12

Type 2: Crimp block protection holder, capacity 12 splices

NTK-12

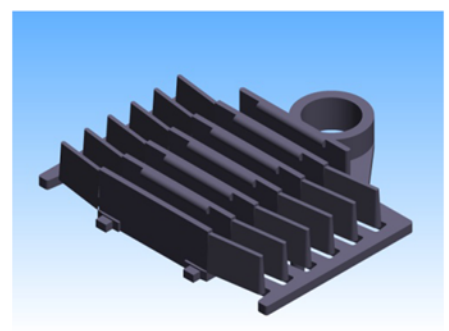
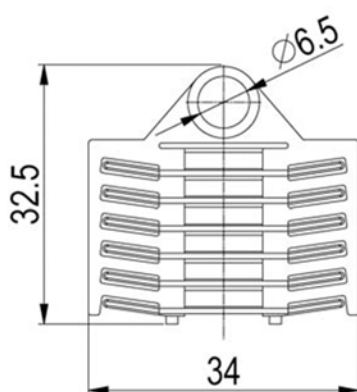
Type 3: Heat shrink splice protection holder, capacity 12 splices



N3M-06



NCR-12



NTK-12