

WMOPP – Wall Mount Optical Patch Panel

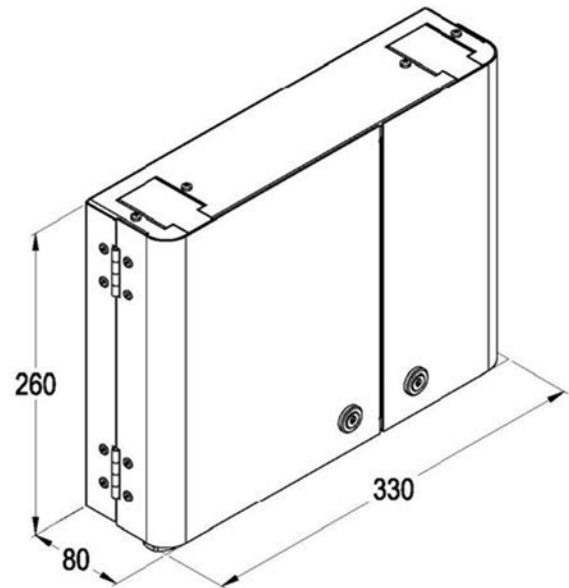
WMOPP - Wall Box 2

Features:

- For indoor application
- Robust steel housing, sidewalls and doors, nice appearance
- Powder coated Light Grey (RAL 7035)
- Customer /subscriber separation secured with two different keys (option)
- Fixing set is included in the scope of delivery
- Can support up to 2 Plug in modules
- It has 2 holes for incoming-outgoing Cables and 2 holes for incomingoutgoing Patch cords all closed with blind covers

Parts:

1.	Body with doors and locks	1	set	
2.	Entry Cover - Blind	max 4	Pc	Option
3.	Entry Cover - hole for PG16	max 4	pc	Option
4.	PG 16 Gland	max 4	pc	Option
5.	Fixing material	1	set	



WMOPP - Wall Box-2 / X1_X2/X3/X4

X1	Wall Box Type		X2/X3	Entry Covers		Min	Max
	T1	Carrier Type			Blind Cover		
T2	Patch - Splice Trough Type			Cover with PG16 Cable Gland	B	0	4

- NOTES:
1. Wall Box 2 can support up to 2 pcs of Carriers or Adapters plates and have 4 positions for Entry Covers
 2. When is ordered WB-Patch-Splice Through is always delivered with: Splice Cassette ZK06 with Cover and Hinges-2sets, Splice Protectors Holder-4pc
 3. Wall fixation kit is always included