

FTTH Floor (Etage) Metal Closure 1E

Field of Application

FTTH FMC 1E is used for splicing the external optical cable and installation optical cables together. It is mounted on the wall.

Features:

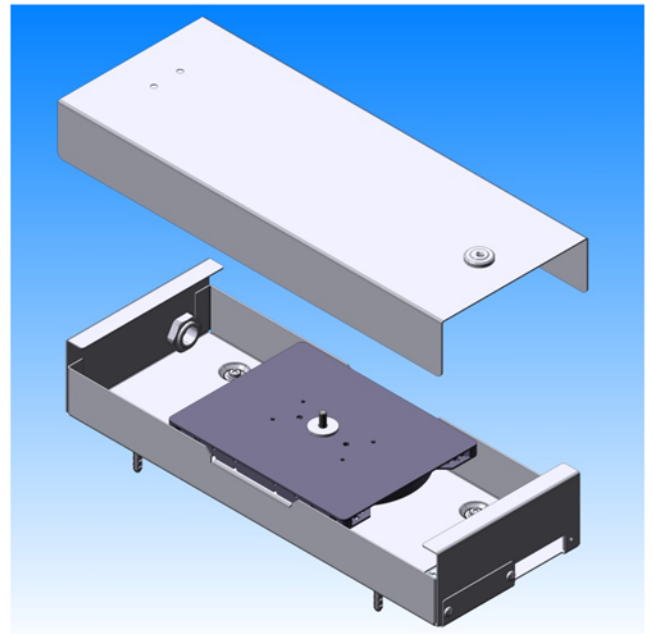
- Robust construction for maximum protection, equipped with high security cylindrical lock.
- The external optical cable can be inserted on the lower side and installation optical cables egression on the upper side of the cabinet.
- The bottom place in the cabinet is used for fixing, leading and storage of spare cables. All the components ensure minimum bending radius of the cables $R_{min} \Rightarrow 30mm$.
- The cabinet and the mounting board are made of steel plate (1,2 mm thick); they are dust painted with light grey colour RAL 7035, orange effect.

Components:

1.	FMC Body	1	pc
2.	Cable insertion part Pg 11 PA	max 2	pcs
3.	Splice tray ZK-06	max 2	pcs
4.	Lid ZK-06 with female screw M5	1	pc
5.	Splice protection holder	max 4	pcs
6.	Splice protectors	max 48	pcs

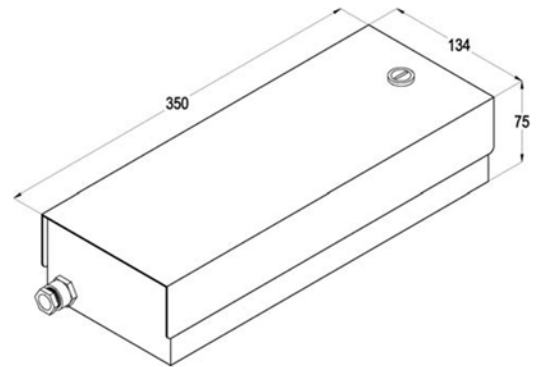
*Mounting kit content:

4 screws with wall plastic plugs



Technical specifications:

Material:	No. STEEL 1.0333 (SIST EN10027-2)
Colour:	Light Grey (RAL 7035)
Operating temperature	-40°C to +75°C (acc. EN 60068-2-1 and EN 60068-2-1)
Flammability	UL42 HB
IP Protection class	IP42 (according IEC 60529)
Dimensions	350 mm x 134 mm x 75 mm (LxWxH)
Weight	1.8 kg (body)



Installation:

The pictures below show insertion of external optical cable, egression of installation cable and way to lead the surplus cables.

