

FTTH Wall Mount Cabinet 1G

FTTH Wall Mount Cabinet 1G

Field of Application

FTTH WMC 1G is used for splicing the external optical cable and installation optical cables together. It is mounted on the wall.

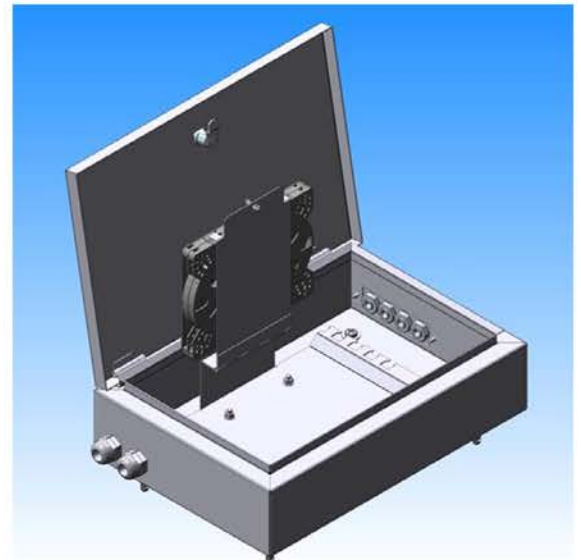
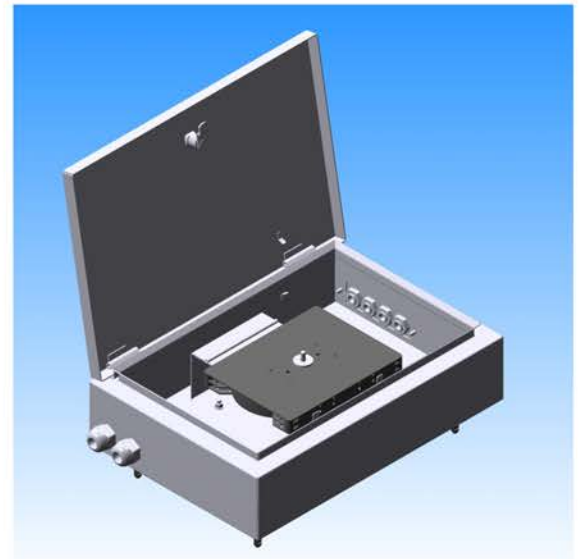
Features:

- Robust construction for maximum protection, equipped with high security cylindrical lock.
- Door is equipped with poured rubber to assure IP54 protection
- The external optical cable and installation optical cables can be inserted on the upper or lower side of the cabinet.
- The bottom place in the cabinet is used for fixing, leading and storage of spare cables. All the components ensure minimum bending radius of the cables $R_{min} \geq 30mm$.
- The cabinet and the mounting board are made of steel plate (1,2 mm thick); they are dust painted with light grey colour RAL 7035, orange effect.

Components:

| | | | |
|----|---------------------------------|--------|-----|
| 1. | WMC Body | 1 | pc |
| 2. | Cable insertion part Pg 13,5 PA | max 2 | pcs |
| 3. | Cable insertion part Pg 7 PA | max 4 | pcs |
| 4. | Splice tray ZK-06 | max 3 | pcs |
| 5. | Lid ZK-06 with female screw M5 | 1 | pc |
| 6. | Splice protection holder | max 6 | pcs |
| 7. | Splice protectors | max 72 | pcs |

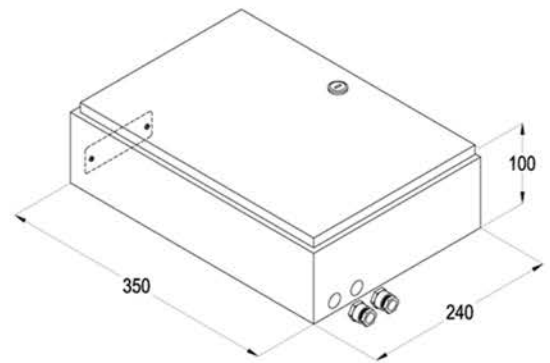
*Mounting kit content:
4 screws with wall plastic plugs



FTTH Wall Mount Cabinet 1G

Technical specifications:

| | |
|-----------------------|---|
| Material: | No. STEEL 1.0333 (SIST EN10027-2) |
| Colour: | Light Grey (RAL 7035) |
| Operating temperature | -40°C to +75°C (acc. EN 60068-2-1 and EN 60068-2-1) |
| Flammability | UL94 HB |
| IP Protection class | IP54 (according IEC 60529) |
| Dimensions | 350 mm x 240 mm x 100 mm (LxWxH) |
| Weight | 4.1 kg (body) |



Installation:

The pictures below show insertion of external optical cable, egression of installation cable and way to lead the surplus cables.

