

## FTTH Wall Mount Cabinet 1GK

### FTTH Wall Mount Cabinet 1G

#### Field of Application

FTTH WMC 1G is used for splicing the external optical cable and installation optical cables together. It is mounted on the wall.

#### Features:

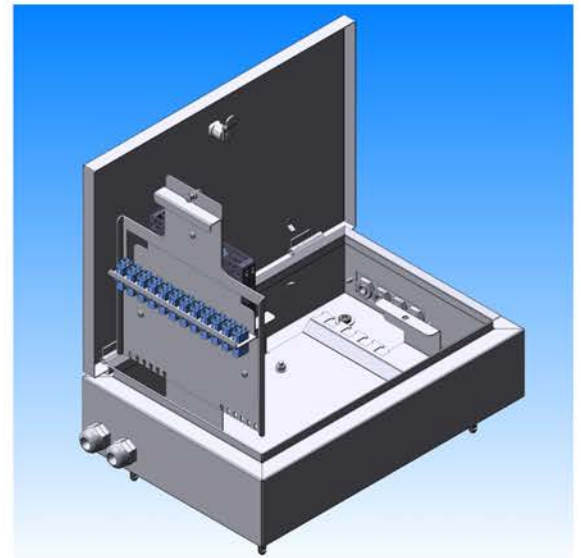
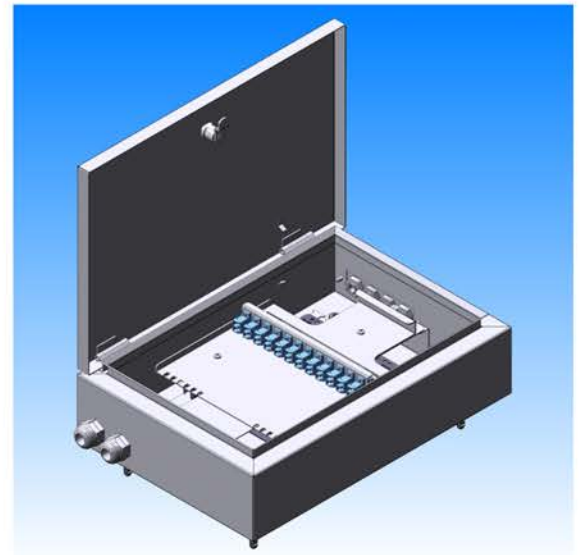
- Robust construction for maximum protection, equipped with high security cylindrical lock.
- Door is equipped with poured rubber to assure IP54 protection
- The external optical cable and installation optical cables can be inserted on the upper or lower side of the cabinet.
- The bottom place in the cabinet is used for fixing, leading and storage of spare cables. All the components ensure minimum bending radius of the cables  $R_{min} \geq 30mm$ .
- The cabinet and the mounting board are made of steel plate (1,2 mm thick); they are dust painted with light grey colour RAL 7035, orange effect.

#### Components:

1.	WMC Body	1	pc
2.	Cable insertion part Pg 13,5 PA	max 2	pcs
3.	Cable insertion part Pg 7 PA	max 4	pcs
4.	Splice tray ZK-06	max 3	pcs
5.	Lid ZK-06 with female screw M5	1	pc
6.	Splice protection holder	max 6	pcs
7.	Splice protectors	max 72	pcs

\*Mounting kit content:

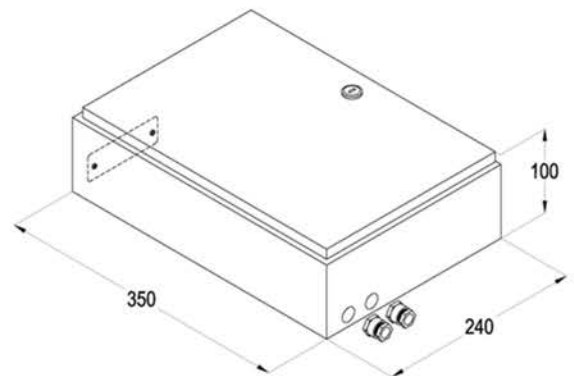
4 screws with wall plastic plugs



# FTTH Wall Mount Cabinet 1GK

## Technical specifications:

<b>Material:</b>	No. STEEL 1.0333 (SIST EN10027-2)
<b>Colour:</b>	Light Grey (RAL 7035)
<b>Operating temperature</b>	-40°C to +75°C (acc. EN 60068-2-1 and EN 60068-2-1)
<b>Flammability</b>	UL94 HB
<b>IP Protection class</b>	IP54 (according IEC 60529)
<b>Dimensions</b>	350 mm x 240 mm x 100 mm (LxWxH)
<b>Weight</b>	4.1 kg (body)



## Installation:

The pictures below show insertion of external optical cable, egression of installation cable and way to lead the surplus cables.

